

HUTCH ASSEMBLY INSTRUCTIONS

Tool Vault TV-7200H
REQUIRED TOOLS:



DRILL



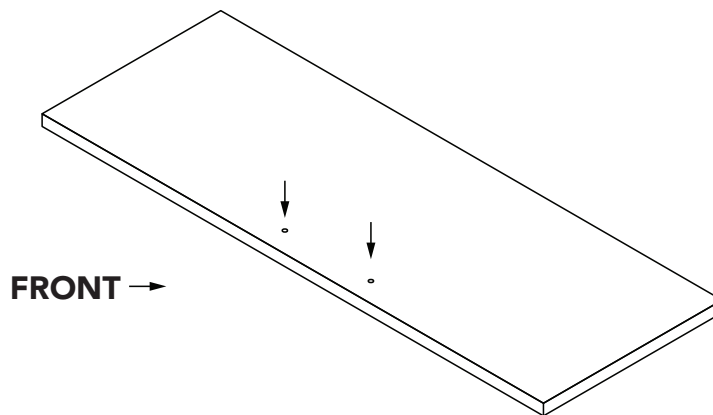
10MM
WRENCH



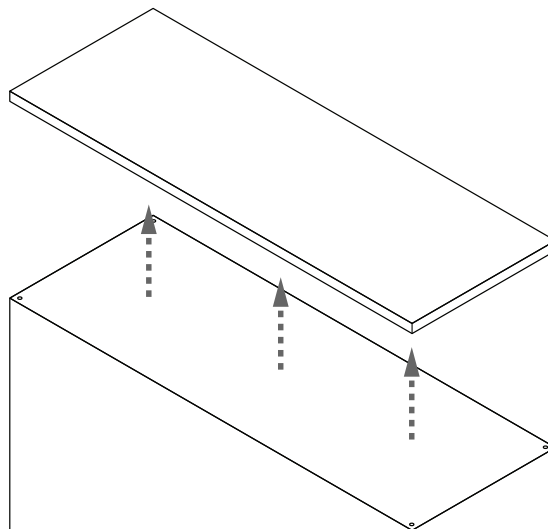
14MM
WRENCH

1. REMOVE THE TOP MAIN DRAWER OF THE ROLLER CABINET AND CAREFULLY SET DOWN ON A CARDBOARD SURFACE AS TO NOT SCRATCH THE DRAWER.

Un-bolt the stainless steel top from the inside. The bolts can be seen in the Diagram below.



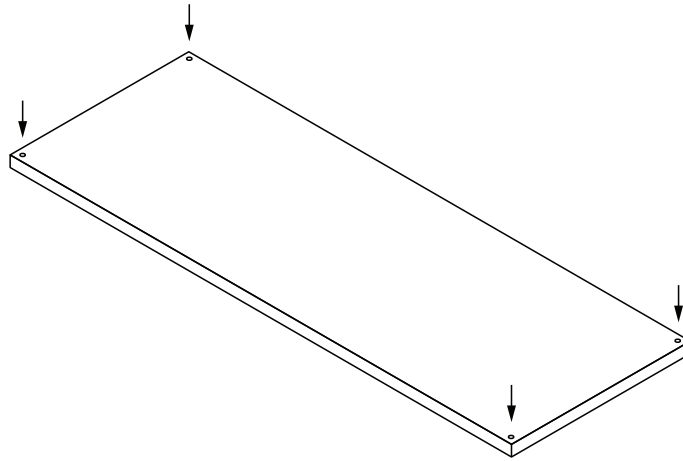
2. REMOVE STAINLESS STEEL OR MDF WORKTOP FROM ROLLER CABINET



3. FLIP OVER, AND DRILL OUT THE PRE-MARKED HOLES ON STAINLESS STEEL OR MDF WORKTOP

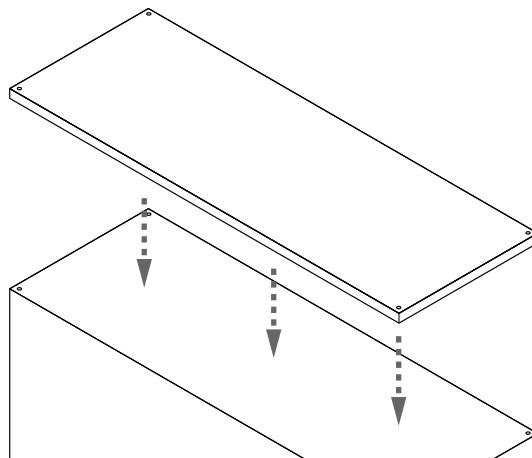


DRILL



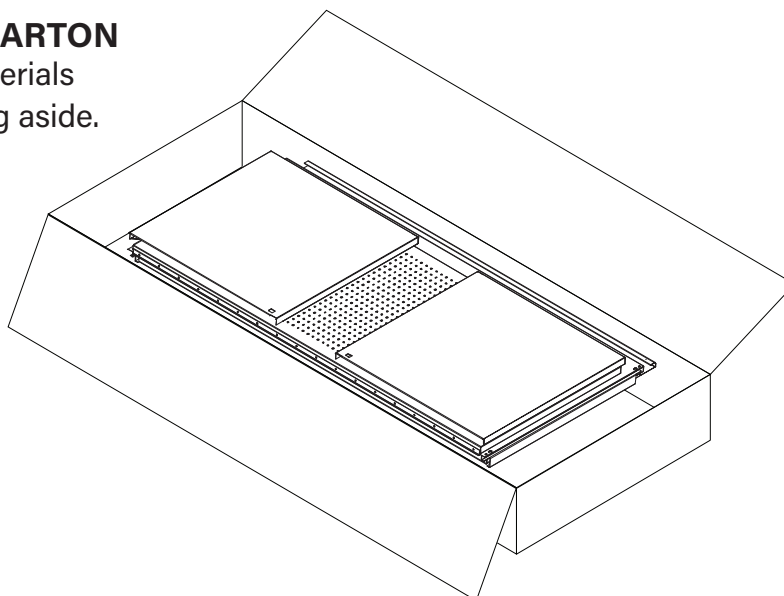
4. REPLACE WORKTOP ON TOP OF THE BASE CABINET

Ensure drilled holes on worktop align properly with the weld nuts on the roller cabinet.

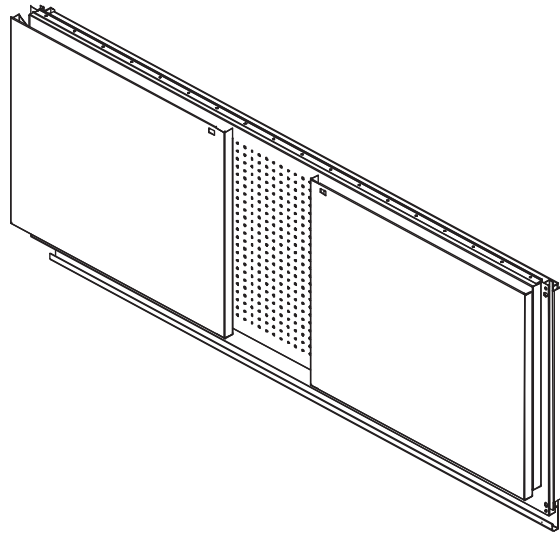


5. OPEN HUTCH CARTON

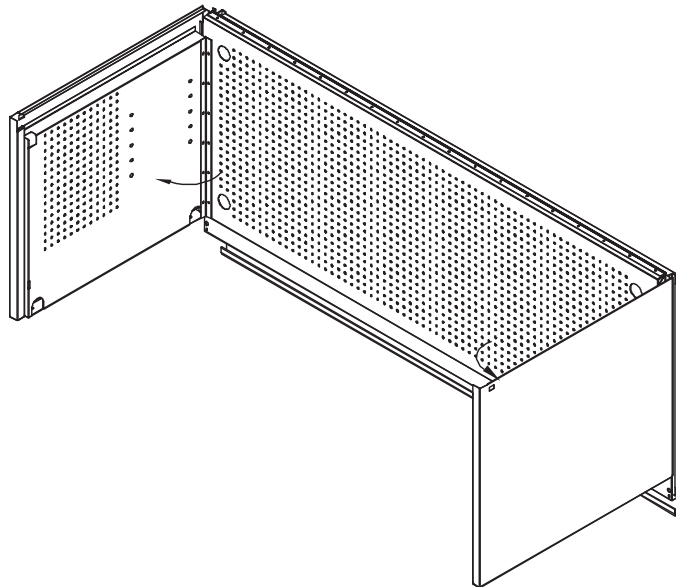
Remove packing materials and set hardware bag aside.



6. REMOVE FOLDED PRODUCT FROM CARTON



7. OPEN SIDES

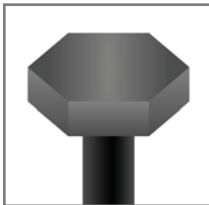


8. INSTALL THE MIDDLE SHELF

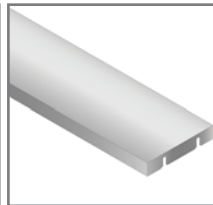
Decide the height of the shelf, locate the weld nuts where the shelf should sit in place. Insert the **10MM HEX BOLTS (4 PCS)** into the weld nuts on both sides, fasten halfway with fingers. Place shelf over bolts, tighten securely with **WRENCH**.



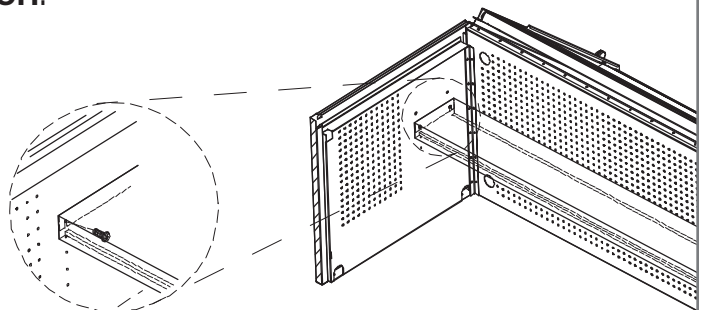
10MM
WRENCH



10MM
HEX BOLT
(4 PCS)



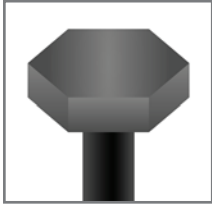
MIDDLE SHELF
(1 PC)



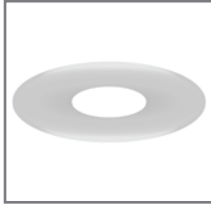
9. LIFT TOP FROM BACK, FASTEN BOLTS ON TOP



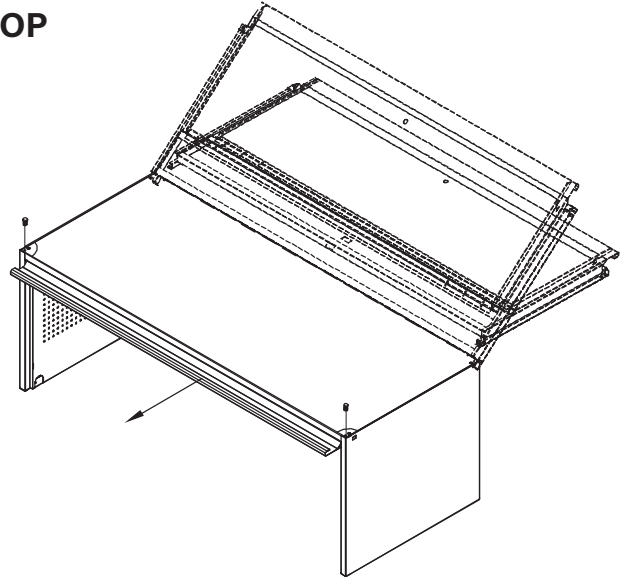
10MM
WRENCH



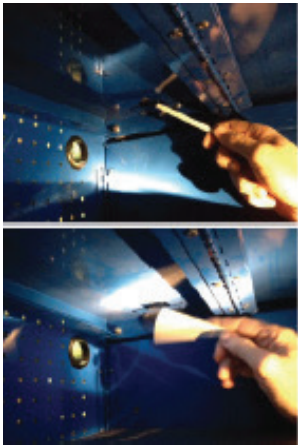
10MM
HEX BOLT
(2 PCS)



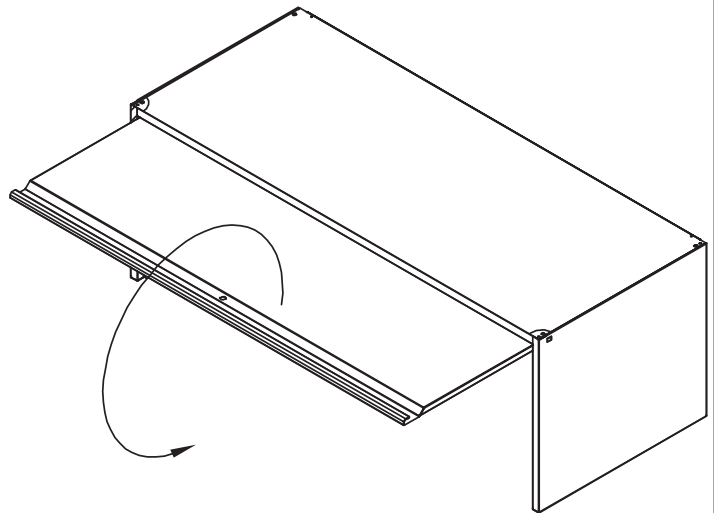
WASHER
(10MM)
(2 PCS)



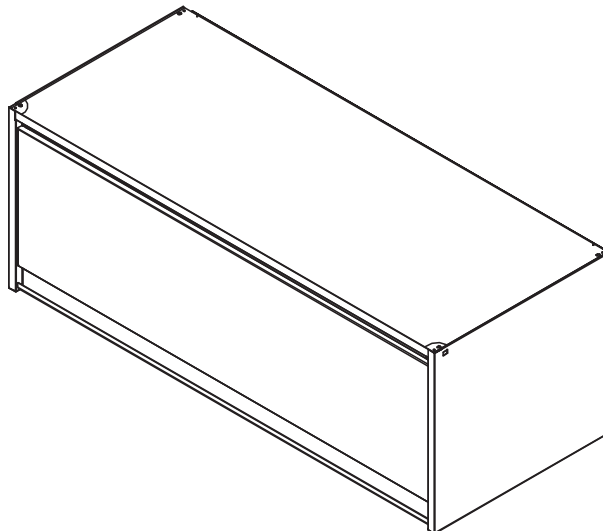
10. REMOVE BRACKET TO ALLOW THE DOOR TO CLOSE



The bracket will be located at the top left and right interior of your hutch, exactly 24" away from the front.

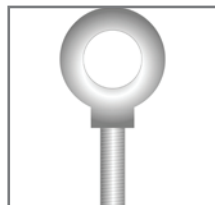


11. SLIDE THE DOOR OUT, CLOSE THE DOOR

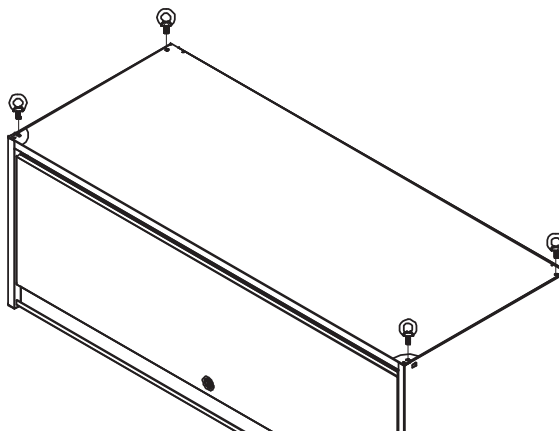


12. INSTALL LIFTING RING BOLTS

Insert the **M12x30 RING BOLTS (4 PCS)** into the 4 weld nuts on top of the hutch. Tighten securely, as these will be used to stack the hutch on top of the roller cabinet.



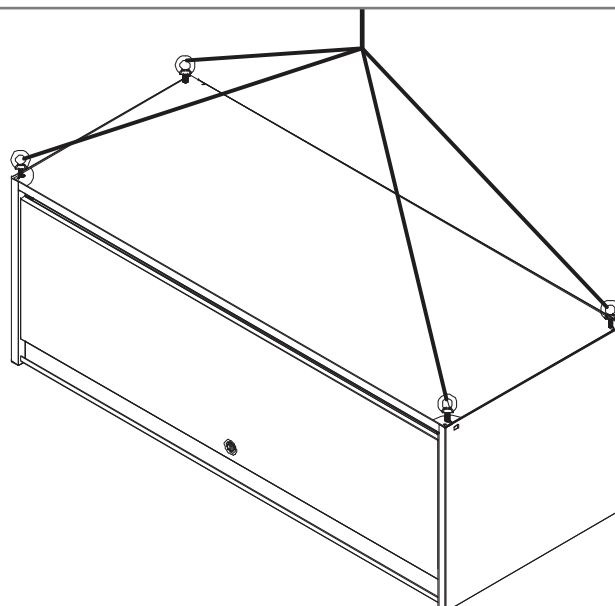
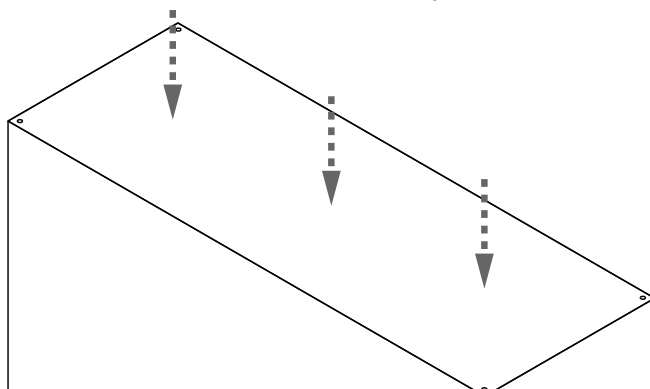
M12x30
RING BOLT
(4 PCS)



13. STACK HUTCH ON CABINET

Attach a crane or other lifting device to the ring bolts, stack the hutch on top of the roller cabinet.

Align holes to drilled holes on worktop.

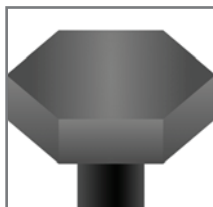


14. FASTEN HUTCH TO CABINET

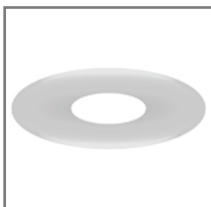
Fasten hutch to cabinet using the **14MM HEX BOLTS (4 PCS)** and **WASHERS (4PCS)** on each corner through the drilled holes to the weld nuts.



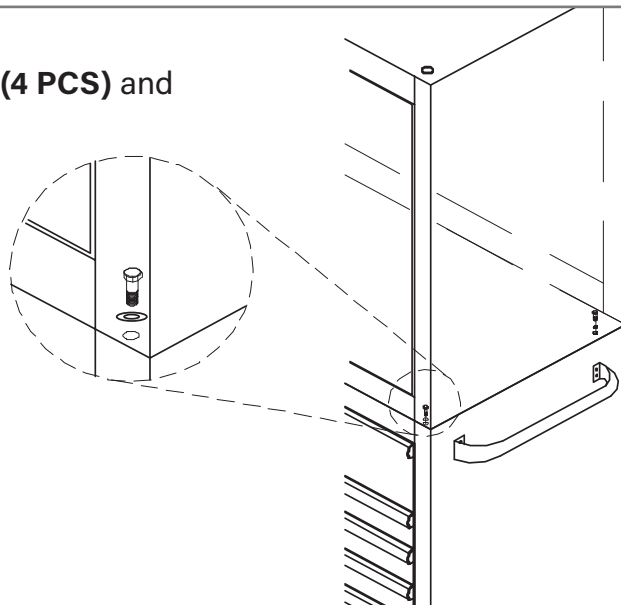
14MM
WRENCH



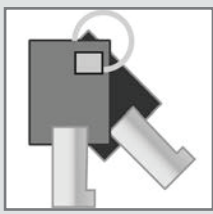
14MM
HEX BOLT
(4 PCS)



WASHER
(14MM)
(4 PCS)

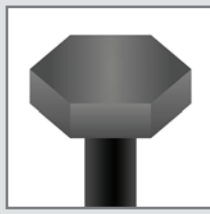


HARDWARE LIST AND OVERVIEW



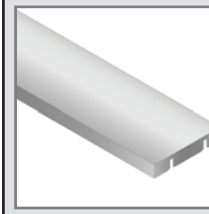
#1
2 pcs.

TUBULAR
KEY



#2
6 pcs.

10MM
HEX BOLT



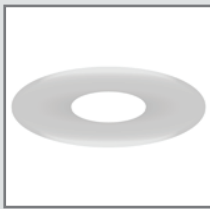
#3
1 pc.

MIDDLE SHELF



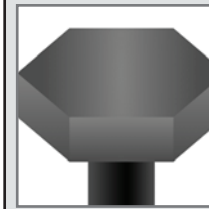
#4
4 pcs.

M12X30
RING BOLT



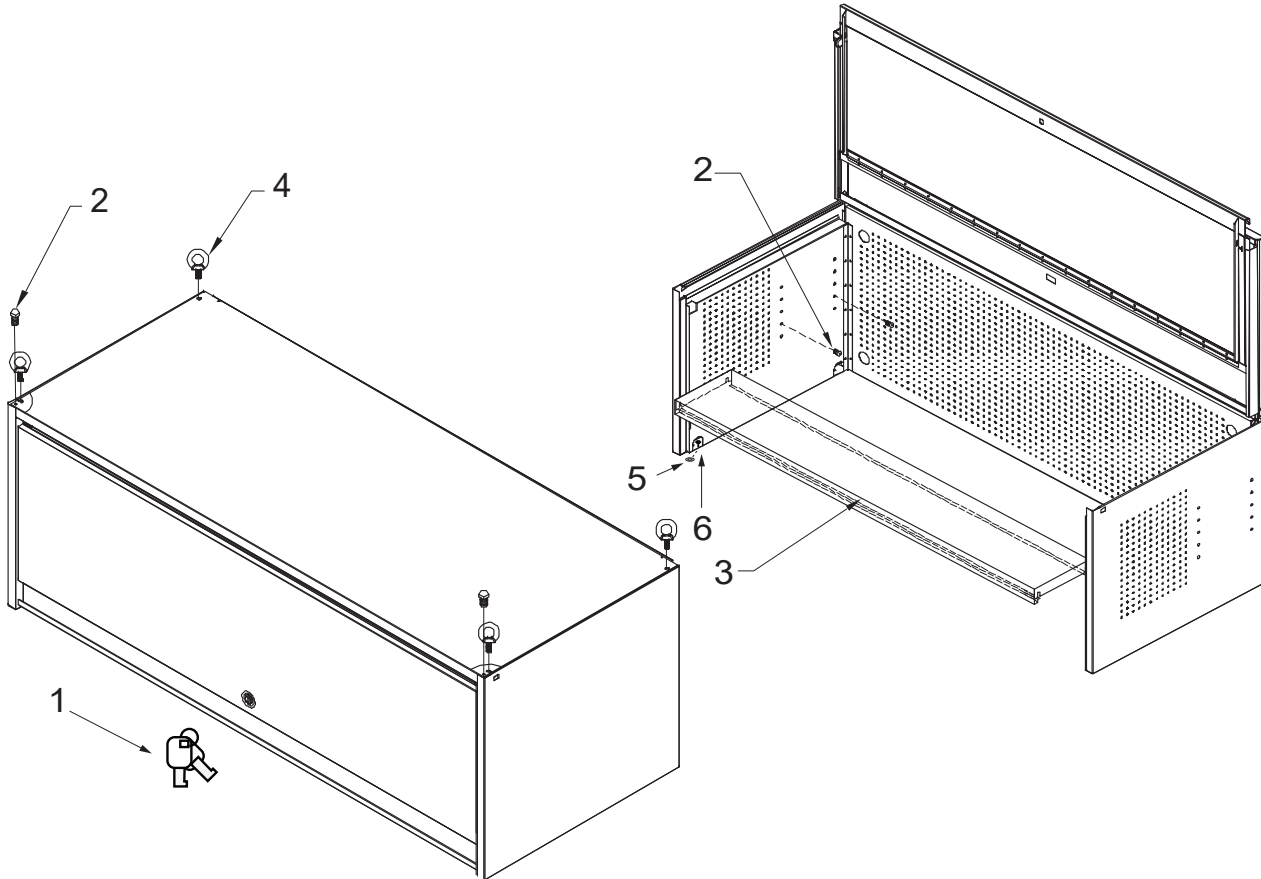
#5
4 pcs.
(14mm)
2 pcs.
(10mm)

WASHER



#6
4 pcs.

14MM
HEX BOLT



STRICTLYTOOLBOXES.com

888-289-1952

DIRECT LINE: 352.672.6566
FAX: 352.226.8579
EMAIL: sales@strictlytoolboxes.com

HOURS:
MON-THU 9:00am - 6:00pm EST.
FRI 9:00am - 5:00pm EST.

ADDRESS:
Strictly Tool Boxes
4820 NE 49th Ave
Gainesville, FL 32609